



CHANTLAND

P V S

Material Handling Solutions

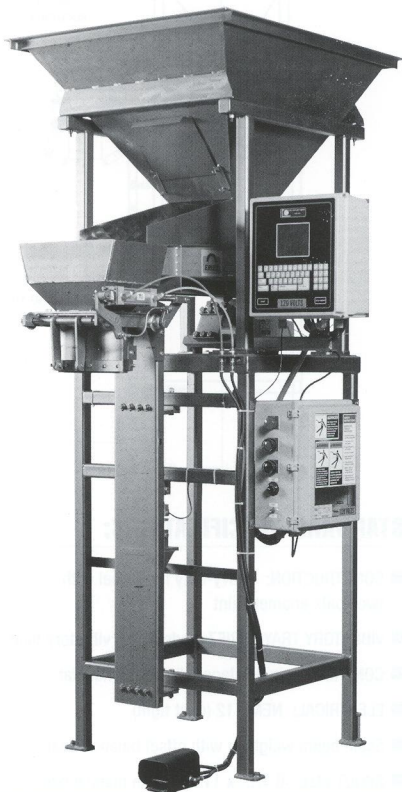
LARGE VIBRAWEIGH VIBRATORY FEEDER

MODEL 4219L

Hheavy-duty gross weigh vibratory fed bagging scale for filling open mouth bags and containers with dry powdered, pelleted, granular, and odd-shaped materials

DESIGN FEATURES:

- 20 lb to 110 lb weight range
- Speeds up to (4) 50# bags per minute
- Accuracies of +/- 1/2% are obtainable with load cell weighing, good product flow with bulk and dribble feed, and consistent bulk density.
- Available with net weighing bucket for increased speeds and accuracies.
- Easy installation and simple to operate
- Shown with 3 1/2 cu ft receiving hopper



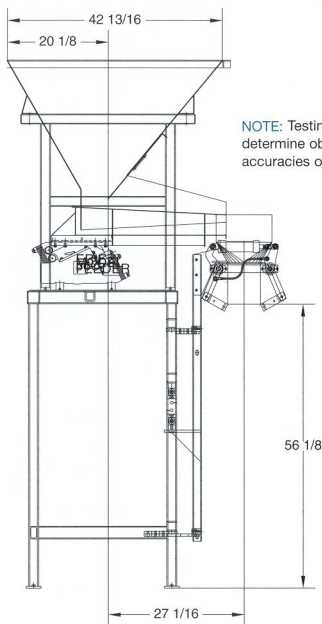
SOLUTIONS

www.chantland.com

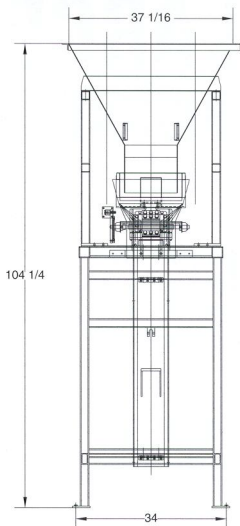
PACKERS • CONVEYORS • PALLETIZERS • SYSTEMS

LARGE VIBRAWEIGH VIBRATORY FEEDER

MODEL 4209



NOTE: Testing may be required to determine obtainable speeds and accuracies on your product.



STANDARD SPECIFICATIONS:

- **CONSTRUCTION:** heavy-duty mild steel with two coats enamel paint
- **VIBRATORY TRAY:** ERIEZ Model HS56 vibratory feeder
- **CONTROLS:** single stage adjustable rheostat
- **ELECTRICAL:** NEMA 12 (dust tight)
- **Scale beam weighing with offset balance beam**
- **SPOUT SIZE:** 6 1/2" x 11" std with manual bag clamps. Other sizes available

NOTE: Specifications subject to change without notice.

OPTIONS

- **CONTROLS:** two-stage bulk and dribble variable speed
- **CONSTRUCTION:** T304 stainless steel on contacting surfaces
- **ELECTRICAL:** NEMA 4 (water tight)
- **Load cell weighing with preset digital weight controller**
- **PAINT:** white urethane paint, stainless steel paint
- **CASTERS:** 5" diameter with locks and outriggers
- **Dust cover with 2" diameter vacuum collar**
- **Air-operated bag clamps with auto-start and no bag – no dump interlock**
- **UTILITY REQUIREMENTS:**
 - Electrical: 110 volts, 60 hz single phase
 - Pneumatic: 8 cfm @ 80 psi
- **SHIPPING WEIGHT:** 1575 lbs
- **CRATE DIMENSIONS:** 5' w x 5' l x 9' h